

## 7. Parts catalog

Previous



Next



Go Back

### How to use this parts catalog

The following legend is used in the parts catalog:

| Asm-index | Part number | Units/mach<br>- or -<br>Units/option | Units/<br>FRU | Description |
|-----------|-------------|--------------------------------------|---------------|-------------|
|-----------|-------------|--------------------------------------|---------------|-------------|

- **Asm-index:** Identifies the assembly and the item in the diagram. For example, 3-1 indicates Assembly 3 and item number 1 in the table.
- **Part number:** Refers to the unique number that identifies the FRU.
- **Units/mach:** Refers to the number of units actually used in the base machine or product.
- **Units/option:** Refers to the number of units in a particular option. It does not include the rest of the base machine.
- **Units/FRU:** Refers to the number of units packaged together and identified by the part number.
- **NS:** (Not shown) in the Asm-Index column indicates that the part is procurable but is not pictured in the illustration.
- **PP:** (Parts Packet) in the parts description column indicates the part is contained in a parts packet.
- Model information used in the parts catalog:

The Lexmark X548 series MFPs are available in the following models:

| Machine type/model | Product name    | Description  |
|--------------------|-----------------|--|
| 7525-630           | Lexmark X548de  | Duplex printer, duplex ADF, touch panel, modem             |
| 7525-631           | Lexmark X548de  | Duplex printer, duplex ADF, touch panel                    |
| 7525-632           | Lexmark X548dte | Duplex printer, duplex ADF, touch panel, hard drive, modem |
| 7525-636           | Lexmark X548dte | Duplex printer, duplex ADF, touch panel, hard drive        |

# Assembly 1: Covers

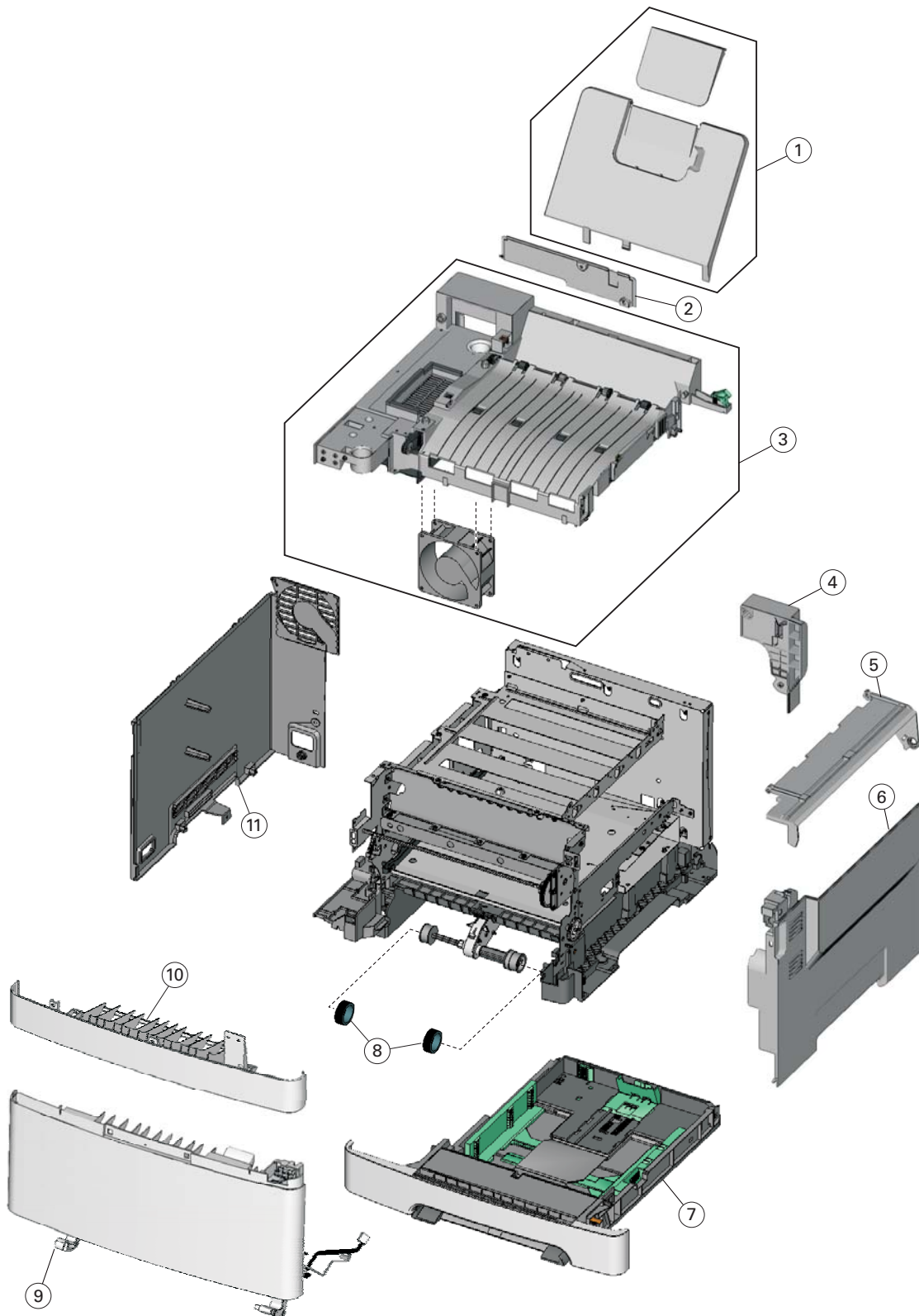
Previous



Next



Go Back



## Assembly 1: Covers

| Asm-index | Part number | Units/mach | Units/FRU | Description           |
|-----------|-------------|------------|-----------|-----------------------|
| 1-1       | 40X5484     | 1          | 1         | Tray, Output bin      |
| 2         | 40X5489     | 1          | 1         | Cover, AIO back cable |
| 3         | 40X5482     | 1          | 1         | Assembly, Top cover   |
| 4         | 40X5537     | 1          | 1         | Link, AIO             |
| 5         | 40X5534     | 1          | 1         | Cover, AIO toner      |
| 6         | 40X5486     | 1          | 1         | Cover, Right AIO      |
| 7         | 40X5419     | 1          | 1         | Tray asm, 250-sheet   |
| 8         | 40X5168     | 2          | 2         | Pick tires            |
| 9         | 40X5538     | 1          | 1         | Cover, Front          |
| 10        | 40X5490     | 1          | 1         | Cover, Front middle   |
| 11        | 40X5417     | 1          | 1         | Cover, Left           |
| NS        | 40X5441     | 1          | 1         | Cover, Legal extender |
| NS        | 40X2253     | 1          | 1         | Front flatbed hinge   |

Previous

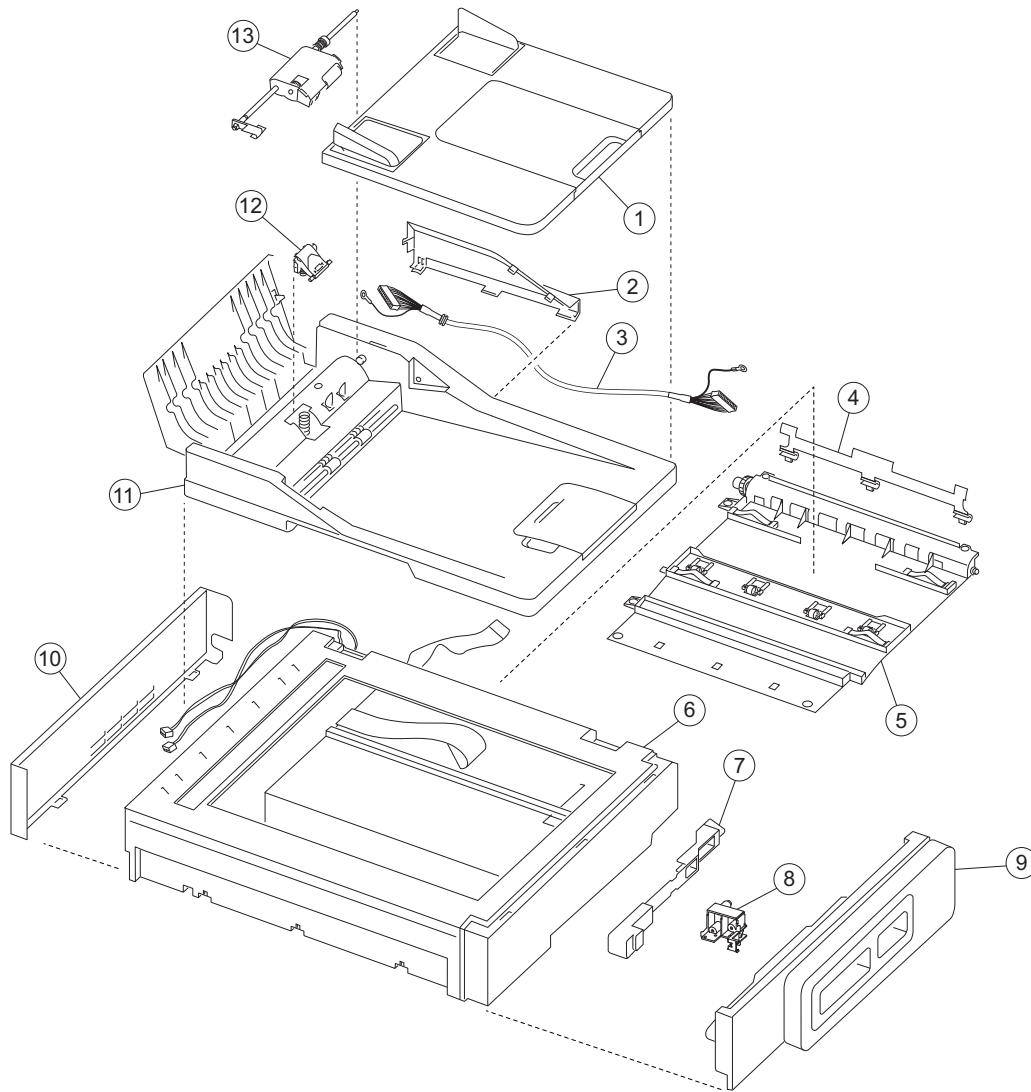


Next



Go Back

## Assembly 2: Scanner



Previous



Next



Go Back

## Assembly 2: Scanner

| Asm-index | Part number | Units/mach | Units/FRU | Description                        |
|-----------|-------------|------------|-----------|------------------------------------|
| 2-1       | 40X5470     | 1          | 1         | Tray, ADF input                    |
| 2         | 40X5478     | 1          | 1         | Cover, ADF rear duplex             |
| 3         | 40X5479     | 1          | 1         | Cable, ADF                         |
| 4         | 40X5872     | 1          | 1         | Bin full flag                      |
| 5         | 40X8342     | 1          | 1         | Asm, Redrive                       |
| 6         | 40X7529     | 1          | 1         | Asm, LED flatbed                   |
| 7         | 40X5536     | 1          | 1         | Lever, AIO release                 |
| 8         | 40X1569     | 1          | 1         | Flatbed pivot link                 |
| 9         | 40X5487     | 1          | 1         | Cover, Scanner right               |
| 10        | 40X5488     | 1          | 1         | Cover, Scanner left                |
| 11        | 40X8092     | 1          | 1         | Asm, Duplex ADF                    |
| 12        | 40X8419     | 1          | 1         | ADF separator pad replacement CRU  |
| 13        | 40X7545     | 1          | 1         | ADF separator roll replacement CRU |
| NS        | 40X5535     | 1          | 1         | Flatbed cushion, duplex            |
| NS        | 40X2252     | 1          | 4         | Redrive spacer screws              |

Previous

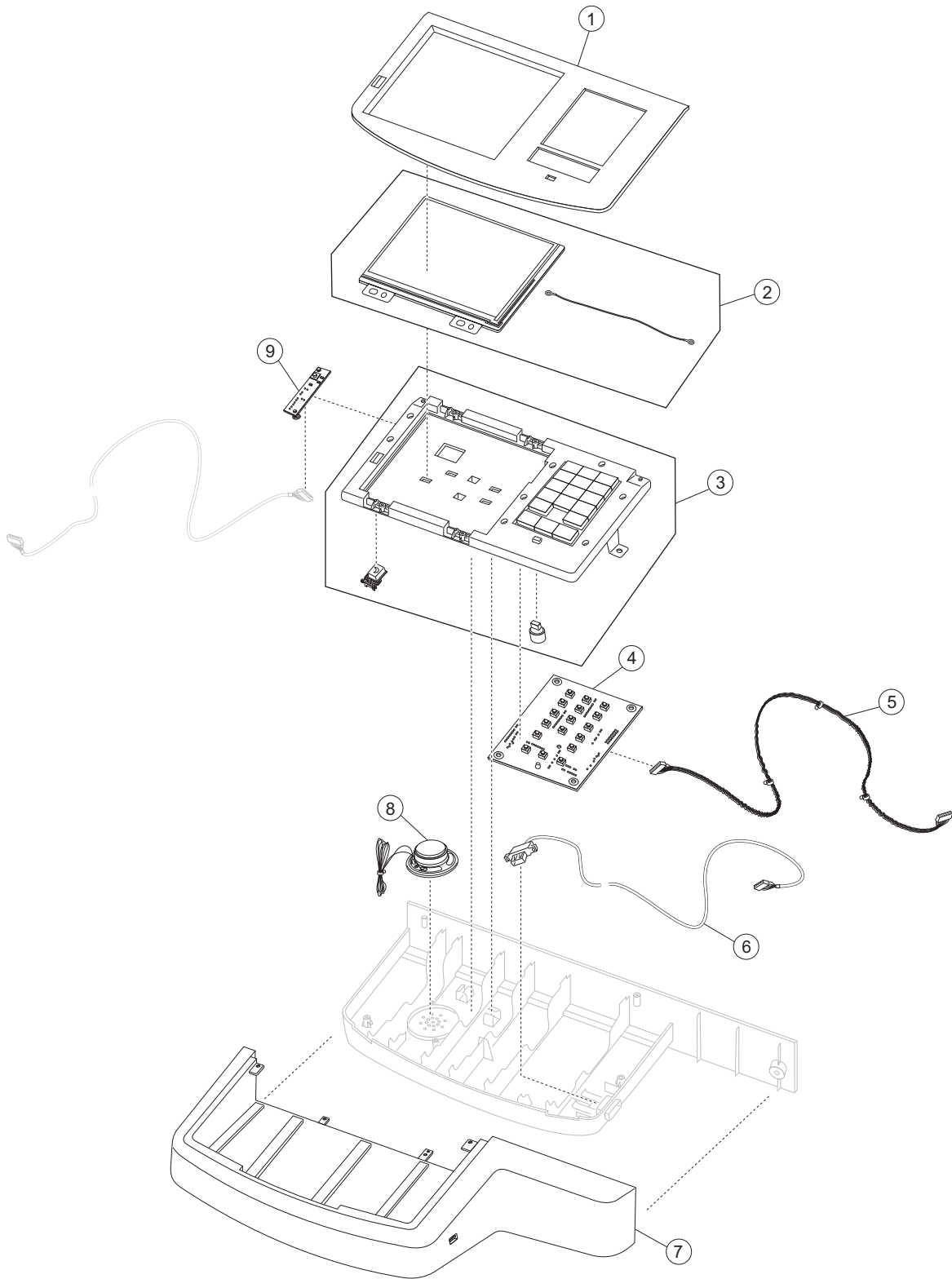


Next



Go Back

### Assembly 3: Operator panel



Previous



Next



Go Back

## Assembly 3: Operator panel

| Asm-index | Part number | Units/mach | Units/FRU | Description   |
|-----------|-------------|------------|-----------|---|
| 3-1       | 40X6523     | 1          | 1         | Cover, Operator panel bezel                                     |
| 2         | 40X6521     | 1          | 1         | Display, 7-inch LCD (with ground cable)                         |
| 3         | 40X6519     | 1          | 1         | Cover, Operator panel with keypads, sleep button and light pipe |
| 4         | 40X6515     | 1          | 1         | PCBA, UICC  |
| 5         | 40X6516     | 1          | 1         | Cable, UICC   |
| 6         | 40X5480     | 1          | 1         | Cable, USB (for thumbdrive)                                     |
| 7         | 40X6520     | 1          | 1         | Cover, Operator panel frame                                     |
| 8         | 40X6517     | 1          | 1         | Speaker   |
| 9         | 40X6518     | 1          | 1         | EPROM, PCBA   |

Previous

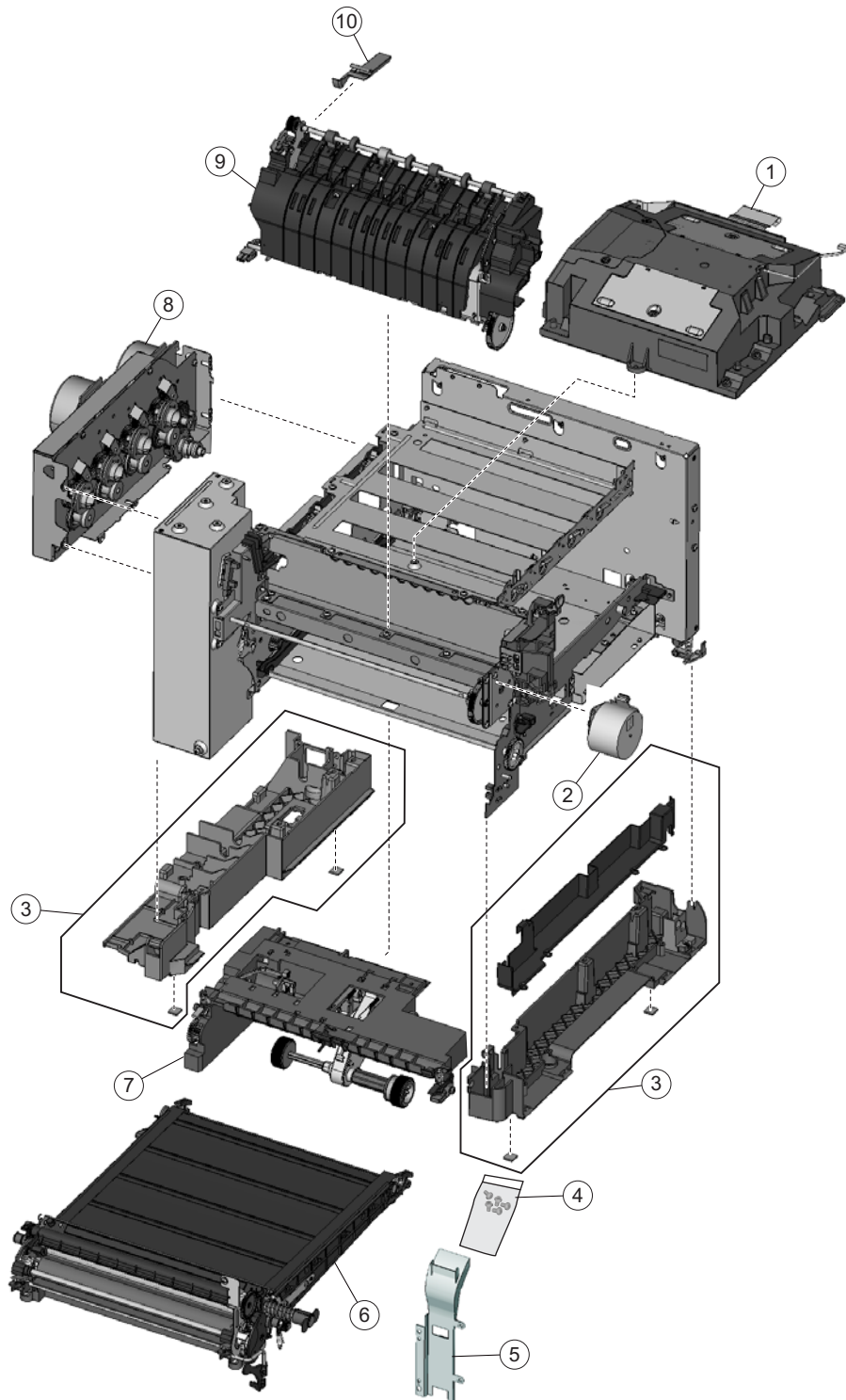


Next



Go Back

# Assembly 4: Paperpath



Previous



Next



Go Back



## Assembly 4: Paperpath

| Asm-index | Part number | Units/mach | Units/FRU | Description   |
|-----------|-------------|------------|-----------|---|
| 4-1       | 40X5411     | 1          | 1         | Printhead   |
| 2         | 40X5415     | 1          | 1         | Fuser drive motor assembly  |
| 3         | 40X5422     | 1          | 1         | Bottom left and right frame and cable cover   |
| 4         | 40X5424     | 1          | 1         | Screw packet, miscellaneous screws <ul style="list-style-type: none"> <li>• TAPTITE M3 L6 PANHD(4)</li> <li>• Tray Bias (2)</li> <li>• Fuser Latch (2)</li> <li>• ITU Front Hold Down (1)</li> <li>• Front Cover Latch Spring (2)</li> <li>• M3 x 6 Pan Head (2)</li> <li>• M3 x 6 Shoulder (1)</li> <li>• M3.5 X 5 Flat Head Plastite (1)</li> <li>• METAL ROLN M3.5 8L (2)</li> <li>• PLAST ROLN 2.9 8L (2)</li> <li>• PLAST ROLN 3.5 6L (4)</li> </ul> |
| 5         | 40X5803     | 1          | 1         | Duplex reference edge   |
| 6         | 40X5403     | 1          | 1         | Image transfer unit (ITU) assembly  |
| 7         | 40X1557     | 1          | 1         | (ACM) Paper pick motor drive assembly   |
| 8         | 40X5412     | 1          | 1         | Main drive gear assembly, with motors   |
| 9         | 40X7562     | 1          | 1         | Fuser assembly, 110 V   |
| 9         | 40X7563     | 1          | 1         | Fuser assembly, 220 V   |
| 9         | 40X7564     | 1          | 1         | Fuser assembly, 100 V   |
| 10        | 40X0411     | 1          | 1         | Narrow media flag   |
| NS        | 40X2261     | 1          | 1         | 100 V Maintenance kit   |
| NS        | 40X2254     | 1          | 1         | 115 V Maintenance kit   |
| NS        | 40X2255     | 1          | 1         | 230 V Maintenance kit   |
| NS        | 40X8674     | 1          | 1         | Front toner-door pivot  |

Previous

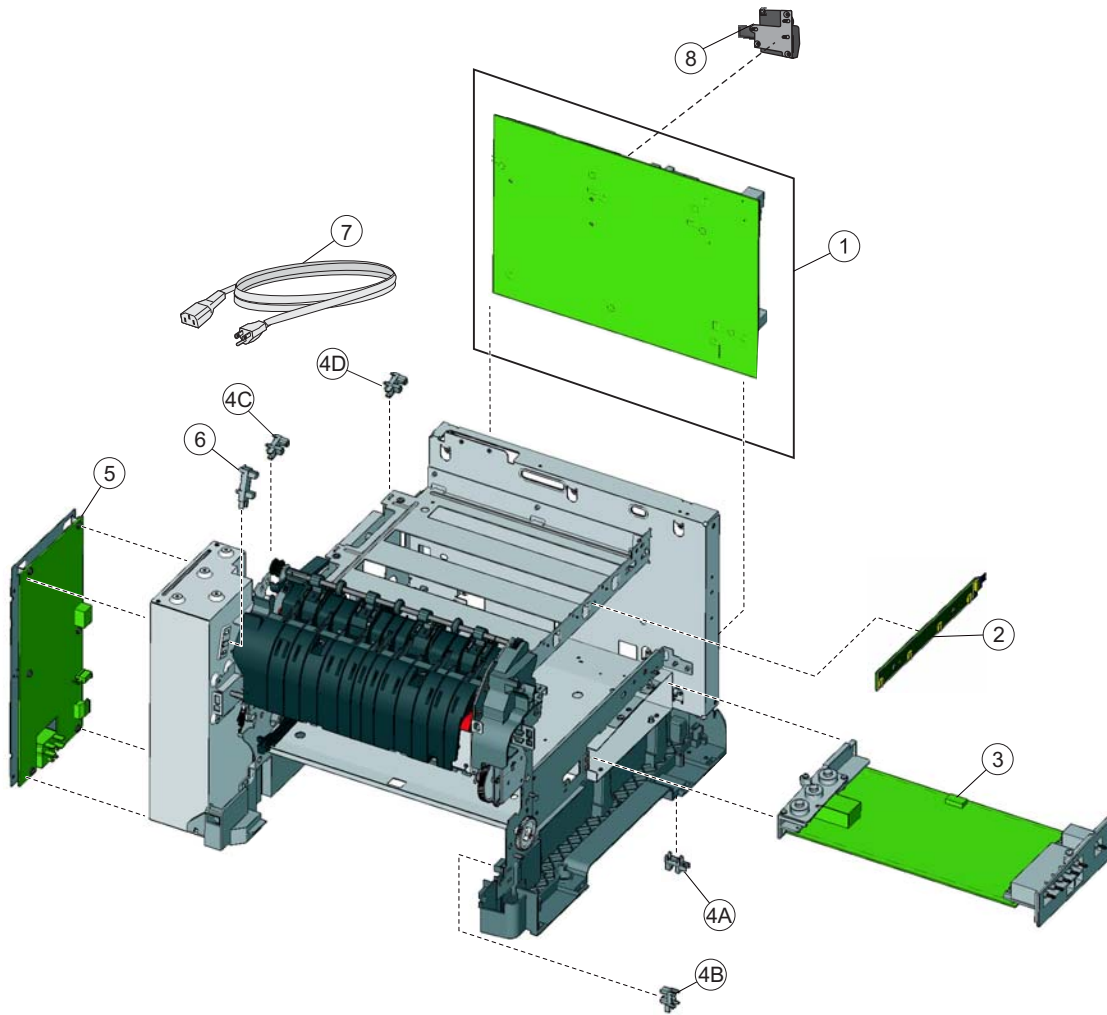


Next



Go Back

# Assembly 5: Electronics 1



Previous



Next



Go Back

## Assembly 5: Electronics 1

| Asm-index | Part number | Units/<br>option | Units/<br>FRU | Description  |
|-----------|-------------|------------------|---------------|--|
| 5-1       | 40X6514     | 1                | 1             | RIP board  |
| 2         | 40X5404     | 1                | 1             | Toner meter cycle card assembly  |
| 3         | 40X8395     | 1                | 1             | High-voltage power supply  |
| 4         | 40X5426     | 3                | 1             | Photo sensor (one per package) used for:<br>A—Tray present<br>B—Duplex<br>C—Narrow Media<br>D—Exit bin |
| 5         | 40X5409     | 1                | 1             | Low-voltage power supply (universal power supply)  |
| 6         | 40X5413     | 1                | 1             | Fuser exit sensor  |
| 7         | 40X0269     | 1                | 1             | Power cord, 2.5 m (straight)—USA, Canada   |
| 7         | 40X3141     | 1                | 1             | Power cord, 2.5 m (straight)—Europe and others   |
| 7         | 40X0288     | 1                | 1             | Power cord, 2.5 m (straight)—Argentina   |
| 7         | 40X0271     | 1                | 1             | Power cord, 2.5 m (straight)—United Kingdom  |
| 7         | 40X0275     | 1                | 1             | Power cord, 2.5 m (straight)—Israel  |
| 7         | 40X1772     | 1                | 1             | Power cord, 2.5 m (straight)—Switzerland   |
| 7         | 40X1773     | 1                | 1             | Power cord, 2.5 m (straight)—South Africa  |
| 7         | 40X0273     | 1                | 1             | Power cord, 2.5 m (straight)—Traditional Italy   |
| 7         | 40X1774     | 1                | 1             | Power cord, 2.5 m (straight)—Denmark   |
| 7         | 40X4596     | 1                | 1             | Power cord, 2.5 m (straight)—Brazil  |
| 7         | 40X0303     | 1                | 1             | Power cord, 2.5 m (straight)—PRC   |
| 7         | 40X0270     | 1                | 1             | Power cord, 2.5 m (straight)—Japan   |
| 7         | 40X1792     | 1                | 1             | Power cord, 2.5 m (straight)—Korea   |
| 7         | 40X1791     | 1                | 1             | Power cord, 2.5 m (straight)—Taiwan  |
| 7         | 40X0301     | 1                | 1             | Power cord, 2.5 m (straight)—Australia   |
| 8         | 40X7054     | 1                | 1             | Fax PCBA   |
| NS        | 40X5485     | 1                | 1             | Fax interface cable  |
| NS        | 40X7058     | 1                | 1             | Hard drive   |

Previous

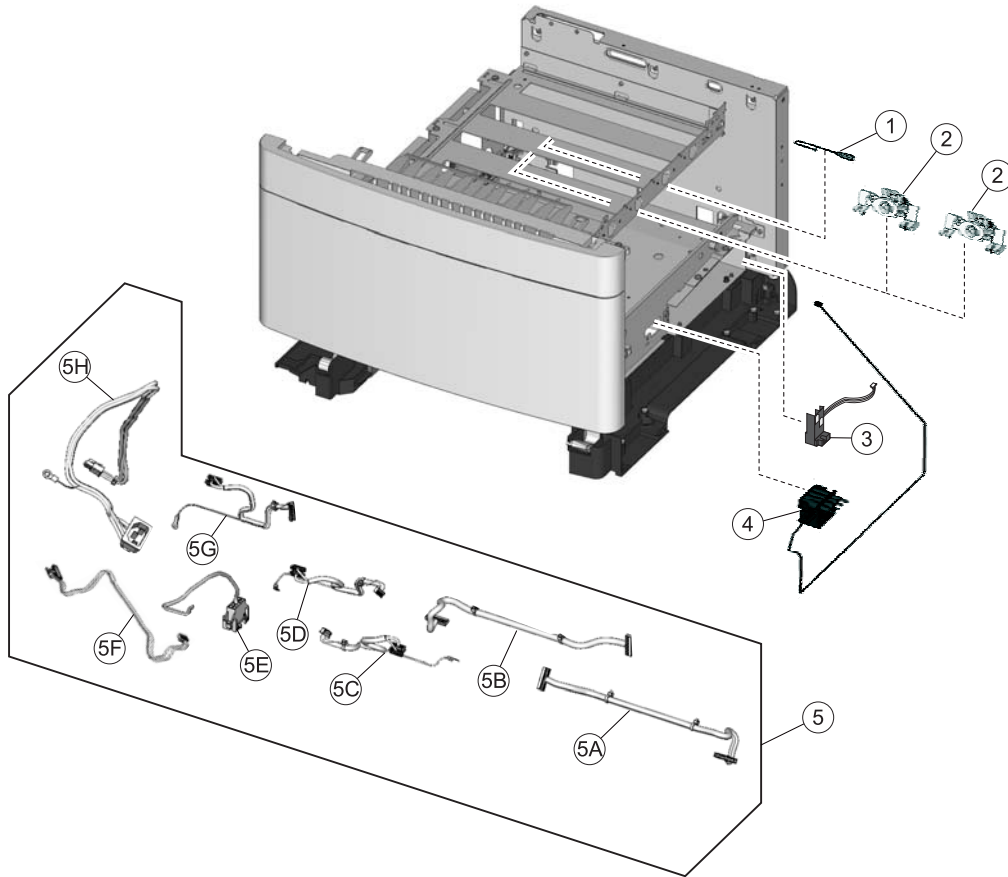


Next



Go Back

## Assembly 6: Electronics 2



Previous



Next



Go Back

## Assembly 6: Electronics 2

| Asm-index | Part number | Units/option | Units/FRU | Description  |
|-----------|-------------|--------------|-----------|--|
| 6-1       | 40X5429     | 1            | 1         | ITU paper path thermistor  |
| 2         | 40X5414     | 2            | 1         | Toner patch sensors, left or right (one in package)  |
| 3         | 40X7046     | 1            | 1         | Waste toner bottle contact block   |
| 4         | 40X5421     | 1            | 1         | Imaging unit contact (Pogo pin)  |
| 5         | 40X5423     | 1            | 1         | Cable packet, used for:<br>A—AC power in<br>B—Low-voltage power supply<br>C—High-voltage power supply<br>D—Fuser/S1<br>E—CMY/ K motors<br>F—Option tray<br>G—Fuser exit/narrow media/bin full<br>H—Wire tie (1.0mm)<br>NS—Tray present cable |

Previous

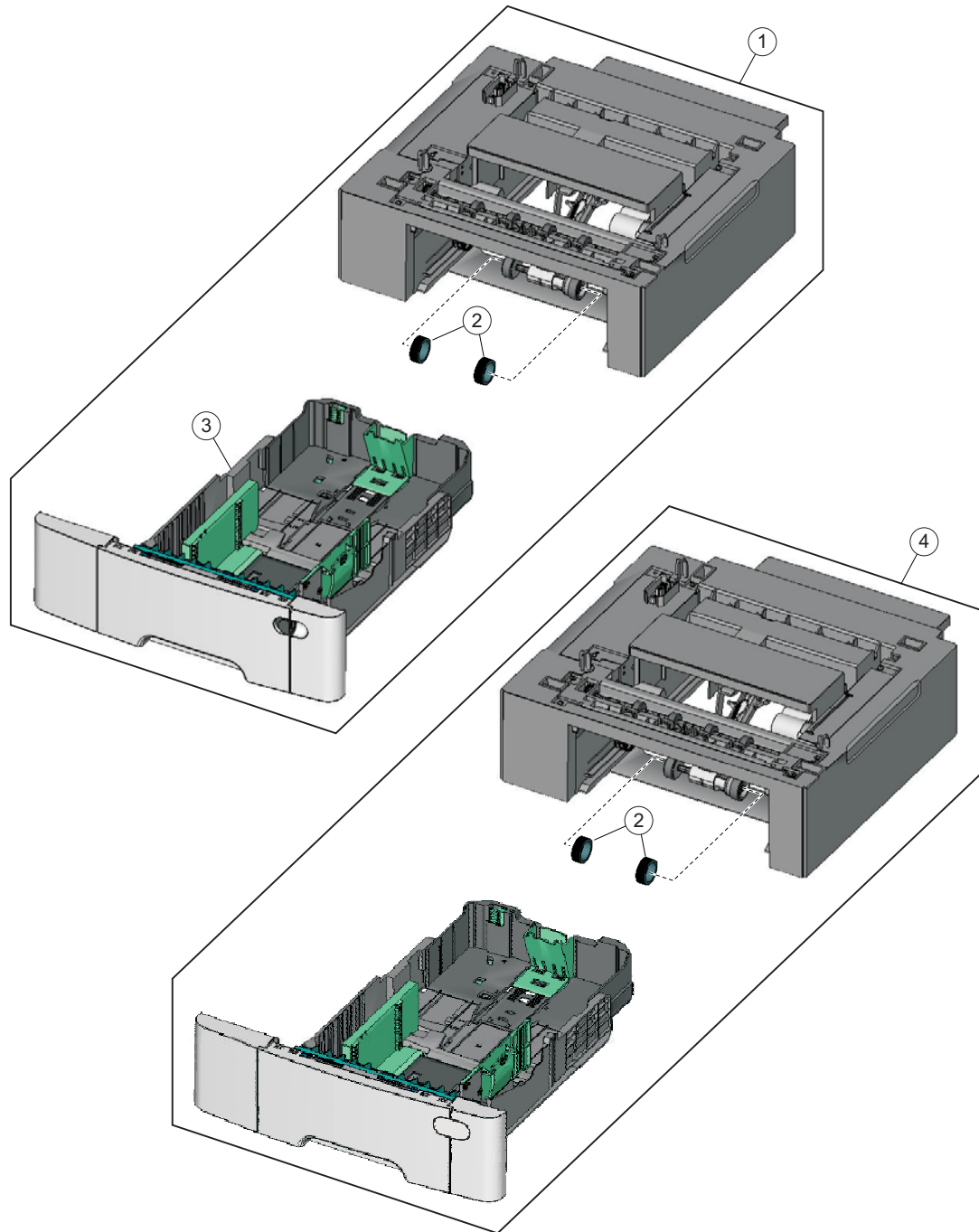


Next



Go Back

## Assembly 7: Media drawers and trays



Previous



Next



Go Back

## Assembly 7: Media drawers and trays

| Asm-Index | Part number | Units/option | Units/FRU | Description  |
|-----------|-------------|--------------|-----------|--|
| 7-1       | 40X6997     | 1            | 1         | Optional 650-sheet duo drawer (complete)—X548 (includes a 100-sheet MPF)   |
| 2         | 40X5168     | 2            | 2         | Pick tire replacement CRU  |
| 3         | 40X2285     | 1            | 1         | 650-sheet duo drawer tray assembly—X544n, X544dn, X544dw, X540n, X543dn (includes a 100-sheet MPF)<br>Note: Use only with P/N 40X6997 drawer assembly) |
| 4         | 40X8341     | 1            | 1         | Optional 550-sheet drawer (complete)—X544n, X544dn, X544dw, X540n, X543dn  |
| NS        | 40X2512     | 1            | 1         | 550-sheet MPF latch cover  |

Previous



Next



Go Back

## Assembly 8: Options

| Asm-Index | Part number | Units/<br>option | Units/<br>FRU | Description   |
|-----------|-------------|------------------|---------------|---|
| 8-NS      | 40X2254     | 1                | 1             | 115 V maintenance kit (fuser, ITU, duplex reference edge) |
| NS        | 40X2255     | 1                | 1             | 230 V maintenance kit (fuser, ITU, duplex reference edge) |
| NS        | 40X2261     | 1                | 1             | 100 V maintenance kit (fuser, ITU, duplex reference edge) |
| NS        | 40X5937     | 1                | 1             | 128MB DDR DRAM DIMM card assembly                         |
| NS        | 40X5938     | 1                | 1             | 256MB DDR DRAM DIMM card assembly                         |
| NS        | 40X5939     | 1                | 1             | 512MB DDR DRAM DIMM card assembly                         |
| NS        | 40X1455     | 1                | 1             | 64MB Flash card assembly                                  |
| NS        | 40X5969     | 1                | 1             | Korean font card assembly                                 |
| NS        | 40X5970     | 1                | 1             | Simplified Chinese font card assembly                     |
| NS        | 40X5971     | 1                | 1             | Traditional Chinese font card assembly                    |
| NS        | 40X5972     | 1                | 1             | Japanese font card assembly                               |
| NS        | 40X1368     | 1                | 1             | USB cable, packaged (2 m)                                 |
| NS        | 3049485     | 1                | 1             | Field relocation package assembly                         |

Previous



Next



Go Back



# Index

Previous



Next



Go Back

## Numerics

- 1xx.xx service errors **2-13**
- 2xx paper jams
  - locations **3-46**
  - messages **2-10**
- 840.xx service check **2-59**
- 8xx.xx service errors **2-17**
- 9xx.xx service errors **2-19**

## A

- ACM, service check **2-32**
- acronyms **1-20**
- ADF cable, removal **4-89**
- ADF input tray, removal **4-88**
- ADF separator pad, removal **4-91**
- ADF separator roll, removal **4-92**
- ADF service checks
  - cover open **2-62**
  - duplex **2-65**
  - feed errors **2-64**
  - paper jam **2-63**
  - streak **2-63**
- AIO link, removal **4-97**
- AIO release lever, removal **4-96**
- AIO toner cover, removal **4-98**
- attendance messages **2-5**

## B

- bin full flag, removal **4-99**
- bin full sensor
  - removal **4-16**
  - service check **2-33**

## C

- CCD, service check **2-60**
- clearances, printer **1-6**
- configuration menu
  - accessing **3-5**
  - available tests **3-32**
- covers, removal
  - front cover assembly **4-3**
  - front middle cover assembly **4-4**
  - left cover **4-4**
  - rear shield **4-7**
  - right cover **4-7**

## D

- dead printer service check **2-34**
- developer unit, removal **4-47**
- diagnostic aids **3-1**
- diagnostic information **2-1**
- diagnostics
  - 1xx.xx service errors **2-13**
  - 2xx paper jams **2-10**
  - 840.xx error service check **2-59**

- 8xx.xx service errors **2-17**
- 900.xx error service check **2-28**
- 90x.xx error service check **2-31**
- 925.01 error service check **2-31**
- 950.xx NVRAM failure service check **2-32**
- 9xx.xx service errors **2-19**
- ADF service checks **2-62**
- autocompensator mechanism service check **2-32**
- bin full sensor service check **2-33**
- dead printer service check **2-34**
- duplex/manual feed sensor (S1) service check **2-35**
- fax error log codes **2-24**
- front door sensor service check **2-36**
- fuser exit sensor service check **2-37**
- fuser service check **2-38**
- input sensor (S2) service check **2-39**
- main drive gear assembly service check **2-40**
- networking service check **2-44**
- operator panel service checks **2-41**
- option trays service check **2-57**
- paper jam messages **2-10**
- print quality service checks **2-45**
- printhead service check **2-54**
- service checks **2-28**
- service error messages **2-13**
- TMC card service check **2-55**
- toner sensors service check **2-55**
- transfer roll service check **2-56**
- tray sensor service check **2-56**
- user attendance message table **2-5**

- diagnostics menu
  - accessing **3-5**
  - available tests **3-6**
- digital imaging, specifications **1-16**
- duplex ADF rear cover, removal **4-86**
- duplex ADF unit, removal **4-87**
- duplex sensor
  - removal **4-29**
  - service check **2-35**

## E

- error codes and messages **2-5**
  - 1xx.xx service errors **2-13**
  - 2xx paper jams **2-10**
  - 8xx.xx service errors **2-17**
  - 9xx service errors **2-19**
  - 9xx.xx service errors **2-19**
  - fax error log **2-24**
  - service error messages **2-13**
- ESD-sensitive parts **4-1**

## F

- fax card service check **2-66**
- fax service checks
  - escalating issue to next level support **2-70**

- reception **2-68**
- transmission **2-67**
- fax specifications **1-18**
- flatbed
  - installation **4-82**
  - removal **4-75**
- flatbed home position service check **2-61**
- flatbed motor service check **2-61**
- flatbed pivot link, removal **4-85**
- front door sensor service check **2-36**
- fuser assembly
  - removal **4-32**
  - service check **2-38**
- fuser drive motor assembly, removal **4-36**
- fuser exit sensor
  - removal **4-37**
  - service check **2-37**

## G

- general information **1-1**

## H

- high voltage power supply, removal **4-40**

## I

- image transfer unit, removal **4-43**
- imaging unit (IU), removal **4-63**

## L

- left scanner cover, removal **4-94**
- lithium battery, warning **ii-xviii**
- locations **5-1**
- low voltage power supply, removal **4-48**
- lower frame, removal
  - left **4-50**
  - right **4-53**
- lubrication specifications **6-2**

## M

- main drive gear assembly with motors, removal **4-57**
- media handling **1-9**
- menu (users), map **3-4**
- messages, attendance **2-5**
- models **1-1**
- modem service check **2-66**

## O

- operator panel
  - buttons **3-1**
  - service check **2-41**
- option trays, service check **2-57**
- options and features **1-1**
- output bin tray, removal **4-108**

## P

- paper jams
  - avoiding **3-45**
  - locations **3-46**
- paper, specifications **1-10**
- parts catalog **7-1**
  - covers **7-3**

- electronics **7-11, 7-13**
- media drawers and trays **7-15**
- operator panel **7-7**
- options **7-16**
- paperpath **7-9**
- scanner **7-5**

- pick tires-integrated 250 sheet media tray, removal **4-60**
- POR sequence **2-1**
- power-on reset sequence
  - see POR sequence
- preventive maintenance **6-1**
- print quality service checks **2-45**
- print quality symptoms **2-4**
- printhead
  - service check **2-54**
- printhead, removal **4-61**
- product specifications **1-2**

## R

- rear shield, removal **4-7**
- redrive unit, removal **4-93**
- removals
  - ACM-standard tray **4-13**
  - ADF cable **4-89**
  - ADF input tray **4-88**
  - ADF separator pad **4-91**
  - ADF separator roll **4-92**
  - AIO link **4-97**
  - AIO release lever **4-96**
  - AIO toner cover **4-98**
  - bin full flag **4-99**
  - bin full sensor **4-16**
- covers
  - AIO back cable cover **4-8**
  - right cover **4-7**
  - scanner left **4-94**
  - scanner right **4-94**
  - top cover **4-9**
- developer unit **4-47**
- duplex ADF **4-87**
- duplex ADF rear cover **4-86**
- duplex sensor **4-29**
- flatbed **4-75, 4-82**
- flatbed pivot link **4-85**
- front cover assembly **4-3**
- front middle cover **4-4**
- fuser **4-32**
- fuser drive motor assembly **4-36**
- fuser exit sensor **4-37**
- high voltage power supply **4-40**
- image transfer unit **4-43**
- imaging unit (IU) **4-63**
- LCD **4-100**
- left cover **4-4**
- left lower frame **4-50**
- left scanner cover **4-94**
- low voltage power supply **4-48**
- main drive gear assembly with motors **4-57**
- operator panel assembly **4-102**
- operator panel bezel **4-104**



operator panel cover with light pipe **4-103**  
operator panel frame cover **4-107**  
output bin tray **4-108**  
photoconductor unit **4-63**  
pick tires-integrated 250 sheet media tray **4-60**  
printhead **4-61**  
procedures **4-2**  
rear case with speaker **4-108**  
rear shield **4-7**  
redrive unit **4-93**  
right lower frame **4-53**  
right scanner cover **4-94**  
RIP board **4-19**  
sleep button **4-110**  
sleep button pcb **4-110**  
speaker **4-111**  
toner cartridge contacts **4-64**  
toner meter cycle card **4-66**  
toner patch sensor **4-68**  
tray present sensor **4-69**  
USB cable **4-112**  
USB connector **4-72**  
user interface controller card **4-113**  
user interface controller card cable **4-112**  
waste toner bottle **4-73**  
waste toner bottle contact **4-74**  
repair information **4-1**  
right scanner cover, removal **4-94**  
RIP board, removal **4-19**

## S

S1 sensor, service check **2-35**  
safety information **ii-xvii**  
safety inspection guide **6-1**  
scan, fax and copy symptoms **2-3**  
SE Menu **3-43**

### sensors

duplex, service check **2-35**  
duplex/manual feed sensor (S1), service check **2-35**  
front door, service check **2-36**  
fuser exit, service check **2-37**  
input sensor (S2), service check **2-39**  
tray present, removal **4-69**  
tray sensor service check **2-56**

### service checks

900.xx system software error **2-28**  
90x.xx error **2-31**  
925.01 fan error **2-31**  
925.01—fan error **2-31**  
950.xx NVRAM failure **2-32**  
ADF service checks **2-62**  
autocompensator mechanism **2-32**  
bin full sensor **2-33**  
black page **2-60**  
dead printer **2-34**  
duplex/manual feed sensor (S1) **2-35**  
fax card **2-66**  
fax transmission **2-67**  
flatbed **2-61**  
flatbed motor **2-61**

front door sensor or switches **2-36**  
fuser **2-38**  
fuser exit sensor **2-37**  
input sensor (S2) **2-39**  
main drive gear assembly **2-40**  
modem **2-66**  
networking **2-44**  
op panel USB cable **2-43**  
operator panel **2-41**  
option trays **2-57**  
print quality **2-45**  
*see also* print quality service check  
printhead **2-54**  
scanner, fax, copy **2-59**  
840xx error check **2-59**  
black page or blank page **2-60**  
CCD service check **2-60**  
fax reception service check **2-68**  
flatbed home position **2-61**  
flatbed motor **2-61**  
transfer roll **2-56**  
tray sensor **2-56**  
USB **2-43**  
service error messages **2-13**  
symptom tables **2-2**  
symptoms  
print quality **2-4**  
printer **2-2**  
scan, fax and copy **2-3**

## T

theory of operation  
color theory **3-67**  
paper path transport components **3-64**  
print engine theory **3-55**  
scanner **3-66**  
toner cartridge contacts, removal **4-64**  
toner meter cycle card, removal **4-66**  
toner patch sensor, removal **4-68**  
tools required **1-19**  
transfer roll, service check **2-56**

## U

USB connector, removal **4-72**

## W

waste toner bottle contact, removal **4-74**  
waste toner bottle, removal **4-73**

Previous



Next



Go Back

Previous



Next



Go Back

## Part number index

| P/N     | Description                                       | Page      |
|---------|---|-----------|
| 3049485 | Field relocation package assembly                 | 7-16      |
| 40X0269 | Power cord, 2.5 m (straight)—USA, Canada          | 7-11      |
| 40X0270 | Power cord, 2.5 m (straight)—Japan                | 7-11      |
| 40X0271 | Power cord, 2.5 m (straight)—United Kingdom       | 7-11      |
| 40X0273 | Power cord, 2.5 m (straight)—Traditional Italy    | 7-11      |
| 40X0275 | Power cord, 2.5 m (straight)—Israel               | 7-11      |
| 40X0288 | Power cord, 2.5 m (straight)—Argentina            | 7-11      |
| 40X0301 | Power cord, 2.5 m (straight)—Australia            | 7-11      |
| 40X0303 | Power cord, 2.5 m (straight)—PRC                  | 7-11      |
| 40X0411 | Narrow media flag                                 | 7-9       |
| 40X1368 | USB cable, packaged (2 m)                         | 7-16      |
| 40X1455 | 64MB Flash card assembly                          | 7-16      |
| 40X1557 | (ACM) Paper pick motor drive assembly             | 7-9       |
| 40X1569 | Flatbed pivot link                                | 7-5       |
| 40X1772 | Power cord, 2.5 m (straight)—Switzerland          | 7-11      |
| 40X1773 | Power cord, 2.5 m (straight)—South Africa         | 7-11      |
| 40X1774 | Power cord, 2.5 m (straight)—Denmark              | 7-11      |
| 40X1791 | Power cord, 2.5 m (straight)—Taiwan               | 7-11      |
| 40X1792 | Power cord, 2.5 m (straight)—Korea                | 7-11      |
| 40X2252 | Redrive spacer screws                             | 7-5       |
| 40X2253 | Front flatbed hinge                               | 7-3       |
| 40X2254 | 115 V Maintenance kit                             | 7-9, 7-16 |
| 40X2255 | 230 V Maintenance kit                             | 7-9, 7-16 |
| 40X2261 | 100 V Maintenance kit                             | 7-9, 7-16 |
| 40X2285 | 650-sheet duo drawer tray assembly                | 7-15      |
| 40X2512 | 550-sheet MPF latch cover                         | 7-15      |
| 40X3141 | Power cord, 2.5 m (straight)—Europe and others    | 7-11      |
| 40X4596 | Power cord, 2.5 m (straight)—Brazil               | 7-11      |
| 40X5168 | Pick tire replacement CRU                         | 7-15      |
| 40X5168 | Pick tires  | 7-3       |
| 40X5403 | Image transfer unit (ITU) assembly                | 7-9       |
| 40X5404 | Toner meter cycle card assembly                   | 7-11      |
| 40X5409 | Low-voltage power supply (universal power supply) | 7-11      |
| 40X5411 | Printhead   | 7-9       |
| 40X5412 | Main drive gear assembly, with motors             | 7-9       |
| 40X5413 | Fuser exit sensor                                 | 7-11      |
| 40X5414 | Toner patch sensors                               | 7-13      |
| 40X5415 | Fuser drive motor assembly                        | 7-9       |
| 40X5417 | Cover, Left                                       | 7-3       |
| 40X5419 | Tray asm, 250-sheet                               | 7-3       |
| 40X5421 | Imaging unit contact (Pogo pin)                   | 7-13      |
| 40X5422 | Bottom left and right frame and cable cover       | 7-9       |
| 40X5423 | Cable packet                                      | 7-13      |
| 40X5424 | Screw packet, miscellaneous screws                | 7-9       |
| 40X5426 | Photo sensor                                      | 7-11      |
| 40X5429 | ITU paper path thermistor                         | 7-13      |
| 40X5441 | Cover, Legal extender                             | 7-3       |
| 40X5470 | Tray, ADF input                                   | 7-5       |
| 40X5478 | Cover, ADF rear duplex                            | 7-5       |
| 40X5479 | Cable, ADF  | 7-5       |
| 40X5480 | Cable, USB (for thumb drive)                      | 7-7       |
| 40X5482 | Assembly, Top cover                               | 7-3       |
| 40X5484 | Tray, Output bin                                  | 7-3       |
| 40X5485 | Fax interface cable                               | 7-11      |

Previous



Next



Go Back

|         |   |      |
|---------|---|------|
| 40X5486 | Cover, Right AIO                                      | 7-3  |
| 40X5487 | Cover, Scanner right                                  | 7-5  |
| 40X5488 | Cover, Scanner left                                   | 7-5  |
| 40X5489 | Cover, AIO back cable                                 | 7-3  |
| 40X5490 | Cover, Front middle                                   | 7-3  |
| 40X5534 | Cover, AIO toner                                      | 7-3  |
| 40X5535 | Cushion, H flatbed                                    | 7-5  |
| 40X5536 | Lever, AIO release                                    | 7-5  |
| 40X5537 | Link, AIO   | 7-3  |
| 40X5538 | Cover, Front  | 7-3  |
| 40X5803 | Duplex reference edge                                 | 7-9  |
| 40X5872 | Bin full flag   | 7-5  |
| 40X5937 | 128MB DDR DRAM DIMM card assembly                     | 7-16 |
| 40X5938 | 256MB DDR DRAM DIMM card assembly                     | 7-16 |
| 40X5939 | 512MB DDR DRAM DIMM card assembly                     | 7-16 |
| 40X5969 | Korean font card assembly                             | 7-16 |
| 40X5970 | Simplified Chinese font card assembly                 | 7-16 |
| 40X5971 | Traditional Chinese font card assembly                | 7-16 |
| 40X5972 | Japanese font card assembly                           | 7-16 |
| 40X6514 | PCBA, RIP   | 7-11 |
| 40X6515 | PCBA, UICC  | 7-7  |
| 40X6516 | Cable, UICC   | 7-7  |
| 40X6517 | Speaker   | 7-7  |
| 40X6518 | EPROM, PCBA   | 7-7  |
| 40X6519 | Cover, Operator panel with light pipe                 | 7-7  |
| 40X6520 | Cover, Front  | 7-7  |
| 40X6520 | Cover, Operator panel frame                           | 7-7  |
| 40X6521 | Display, 7-inch LCD (with ground cable)               | 7-7  |
| 40X6523 | Cover, Operator panel bezel                           | 7-7  |
| 40X6997 | Optional 650-sheet duo drawer (complete)              | 7-15 |
| 40X7046 | Waste toner bottle contact block                      | 7-13 |
| 40X7054 | Fax PCBA  | 7-11 |
| 40X7058 | Hard drive  | 7-11 |
| 40X7529 | Asm, LED flatbed                                      | 7-5  |
| 40X7545 | ADF separator roll replacement CRU                    | 7-5  |
| 40X7562 | Fuser assembly, 110 V                                 | 7-9  |
| 40X7563 | Fuser assembly, 220 V                                 | 7-9  |
| 40X7564 | Fuser assembly, 100 V                                 | 7-9  |
| 40X8092 | Asm, Duplex ADF                                       | 7-5  |
| 40X8341 | Optional 550-sheet drawer (complete)—X546dtn and X548 | 7-15 |
| 40X8342 | Asm, Redrive  | 7-5  |
| 40X8395 | High-voltage power supply                             | 7-11 |
| 40X8419 | ADF separator pad replacement CRU                     | 7-5  |
| 40X8674 | Front toner-door pivot                                | 7-9  |



Previous



Next



Go Back